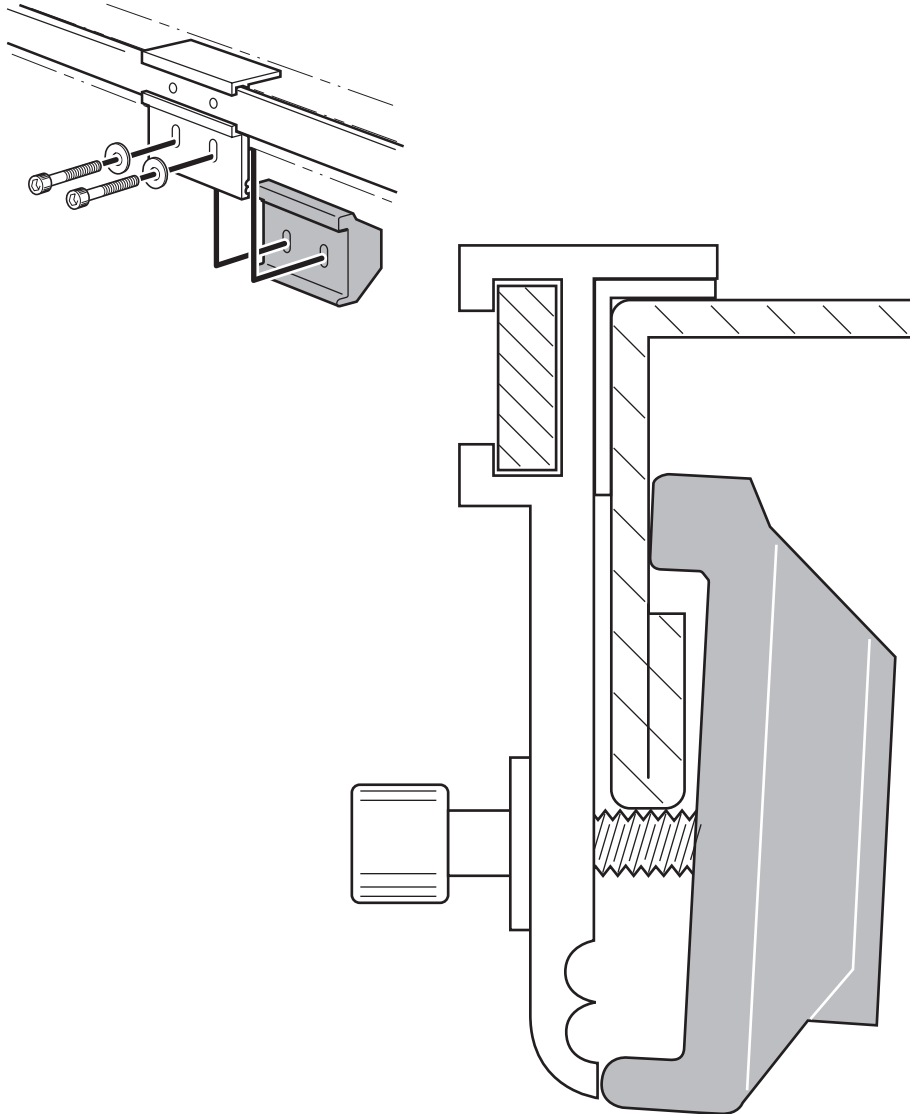


Replace Step 6 instructions with the following:

**6**



Attach clamp to each side bracket with two clamp bolts.

Clearance between bracket bolt and side wall rim the round bead does not fit in the bracket grooves. It will rest securely on the lower lip of the bracket.

**Do not tighten at this step.**