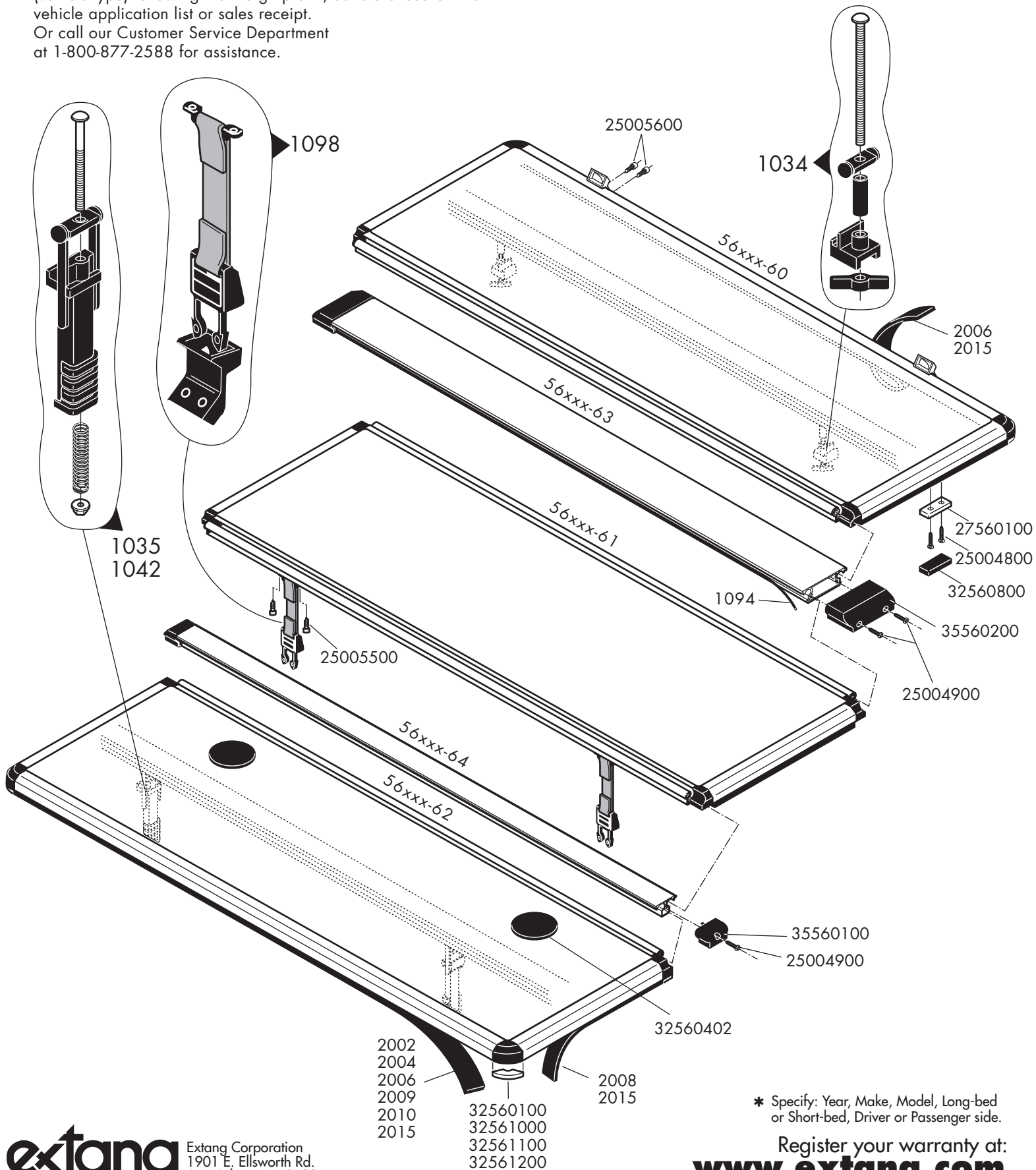


SOLID FOLD

Parts List

NOTE: To order, xxx represents the 3-digit application # (vehicle type) following the 2-digit prefix, as referenced on the vehicle application list or sales receipt. Or call our Customer Service Department at 1-800-877-2588 for assistance.

See Part Descriptions on Back



* Specify: Year, Make, Model, Long-bed or Short-bed, Driver or Passenger side.

Register your warranty at:
www.extang.com

Item No. 0183-0908 RH Printed in U.S.A.



Extang Corporation
 1901 E. Ellsworth Rd.
 Ann Arbor, MI 48108
 734 677-0444, Fax: 734 677-8409

SOLID FOLD

Parts List

NOTE: To order, xxx represents the 3-digit application # (vehicle type) following the 2-digit prefix, as referenced on the vehicle application list or sales receipt. Or call our Customer Service Department at 1-800-877-2588 for assistance.

- 56xxx-60*** Replacement Cab Panel (1)
1034 Front Clamp Assembly (1)
2006 Toyota Cab/Tail Seal (6')
2008 Rectangular Side Rail Seal (8')
2015 Regular Cab/Tail Rail D-Seal (8')
25004800 Bow Bracket Screw (1)
27560100 Steel Bow Support Plate (1)
32560100 Square Corner Pad (1)
32560300 Interior Corner Pad (1)
32560800 Rubber Bow Pad (1)
- 56xxx-61*** Replacement Center Panel (1)
32560300 Interior Corner Pad (1)
- 56xxx-62*** Replacement Tailgate Panel (1)
1035 Regular Rear Clamp Assembly (1)
1042 Long Rear Clamp Assembly (1)
2002 Classic Tailgate Seal - 6'
2004 Toyota Tailgate Seal - 6'
2006 Toyota Cab/Tail Seal (6')
2009 "U" Channel Tailgate Seal (6')
2010 Dodge Ram Tailgate Seal (6')
2015 Regular Cab/Tail Rail D-Seal (8')
25004800 Bow Bracket Screw (1)
27560100 Steel Bow Support Plate (1)
32560100 Square Corner Pad (1)
32560300 Interior Corner Pad (1)
32560402 Round Seal Pad (1)
32560800 Rubber Bow Pad (1)
32561000 Rear Round Corner Pad (1)
32561100 Rear Chevy Corner Pad (L&R)
32561200 Rear Dodge Corner Pad (L&R)
- 56xxx-63*** Second Hinge Rail (1)
1094 O-Ring Seal - 6'
25004900 Hinge Cap Screw (1)
32560200 Hinge Pads (set of 4)
35560200 Second Hinge Cap (1)
- 56xxx-64*** First Hinge Rail (1)
1094 O-Ring Seal - 6'
25004900 Hinge Cap Screw (1)
32560200 Hinge Pads (set of 4)
35560100 First Hinge Cap (1)
- 1098** Tie Down Strap Assembly (1)
25005500 Footman Loop Screw (1)
25005600 Buckle Screw (1)

* Specify: Year, Make, Model, Long-bed or Short-bed, Driver or Passenger side.